



ADJUSTABLE Y ADAPTOR

Ex db, Ex eb, Ex ta, IP65/66/68

for General Industrial and Hazardous Area Installations



Features and Benefits

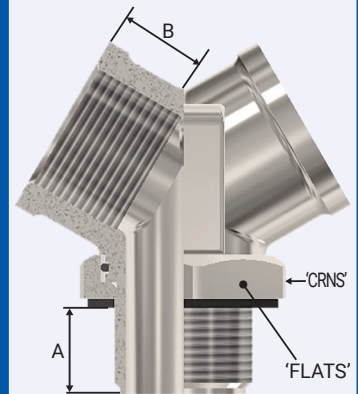
- Precision manufactured from high quality brass (Marine Grade Electroless Nickel Plated™) available in aluminium or stainless steel 316/316L on request.
- Supplied with sealing gasket as standard.
- Fitted with a silicone O-ring as standard.
- Can be fixed in any position around a 360° circle.
- Available in Metric and BSPP male thread forms and Metric, BSPP, BSPT and NPT female thread forms.

Technical Data

Type:	Adjustable Y Adaptor
Material:	
Body and nut:	Brass (Marine Grade Electroless Nickel Plated™) Aluminium, Stainless Steel 316/316L on request.
Sealing gasket:	Standard HDPE or Extreme Temp. PTFE
O-ring:	Silicone
Note:	The installer should ensure that the materials are suitable for the installation environment.

Standards and Certifications

Equipment Protection Levels:	IECEx: Ex db I Mb, Ex eb I Mb, Ex db IIC Gb, Ex eb IIC Gb, Ex ta IIIC Da ATEX/UKEX: Ⓢ I M2 Ex db I Mb, Ex eb I Mb; Ⓢ II 2 G, 1 D Ex db IIC Gb, Ex eb IIC Gb, Ex ta IIIC Da NEC / CEC: Class I Div. 1/Div. 2 Gr ABCD; Class II Div. 1 Gr EFG/ Div. 2 Gr FG; Class III Div.1/Div.2; Class I Zone 1 AEx db IIC Gb /Ex db IIC Gb Class I Zone 1 AEx eb IIC INMETRO: Ex db I Mb, Ex eb I Mb, Ex db IIC Gb, Ex eb IIC Gb, Ex tb IIIC Db	
Operating temperature range:	-20°C to +95°C (HDPE sealing gasket) -60°C to +160°C (PTFE sealing gasket)	
Conformance:	Standard:	Certificate:
IECEX	IEC 60079 Part 0, 1, 7, 31	IECEX TSA 23.0024X
ATEX	EN 60079 Part 0, 1, 7, 31	CML 15ATEX1040X
UKEX	BS EN 60079 Part 0, 1, 7, 31	CML 21UKEX1014X
NEC	UL514B, UL2225, UL60079 Part 0, 1, 7, 31	E115595
CEC	CSA C22.2 No. 18.3-12, 174	
	CSA C22.2 No. 60079 Part 0, 1, 7, 31	
INMETRO (Brazil)	ABNT NBR IEC 60079 Part 0, 1, 7, 31	TÜV 16.1856U
SANS	SANS/IEC 60079 Part 0, 1, 7, 31	MASC MS/23-9594X
IP66/68 - Parallel	IEC 60529	CML 15Y728
IP65 - Tapered		
IP68 - Tapered and approved grease	IEC 60529	IECEX TSA 23.0024X
Deluge Protection	DTS-01	CML 14CA370-2
Marine ABS	IEC 60079 Part 0, 1, 7, 15, 31, IEC 60529	ABS 20-SG1952706-1 PDA



PATENTED



Conditions for Safe Use

- The service temperature range of -20°C to +95°C (HDPE sealing gasket) or -60°C to +160°C (PTFE sealing gasket) shall not be exceeded.
- All adaptors are rated IP65 for any sealing arrangement. If an IP rating of IP66/67/68 is required then the supplied sealing gasket shall be used.

Product Code	Male Thread		Female Thread		Nut Hexagonal Details		Installation Torque Value Nm
	Type	Minimum Length 'A'	Type	Minimum Length 'B'	Maximum 'Flats'	Maximum 'Crns'	
AYM20M20E	M20 x 1.5	17	M20 x 1.5	16	27.0	30.4	21.0
AYM25M25E	M25 x 1.5	17	M25 x 1.5	16	35.0	39.4	30.0
AYM32M32E	M32 x 1.5	17	M32 x 1.5	16	40.0	45.0	42.0
AYM20N012E	M20 x 1.5	17	½ NPT	16	27.0	30.4	21.0
AYM25N034E	M25 x 1.5	17	¾ NPT	16	35.0	39.4	30.0
AYM32N001E	M32 x 1.5	17	1 NPT	16	40.0	45.0	42.0

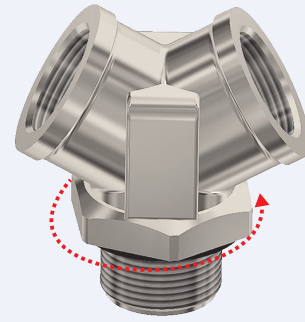
All dimensions except NPT are in mm.

CCG reserves the right to make alterations to the technical data, dimensions, designs and products available without notice. The illustrations cannot be considered binding. Please contact CCG for assistance.

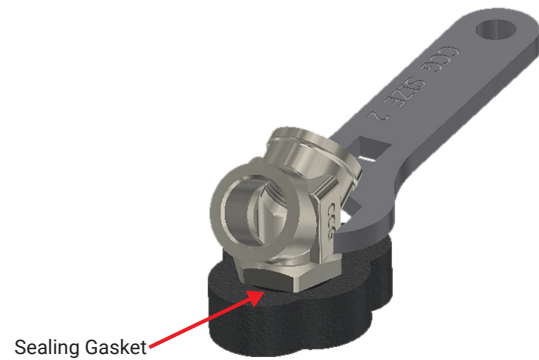
AYM_AD010124

ADJUSTABLE Y ADAPTOR

1. The locking nut must be fully tightened onto the male thread before installing the adaptor.

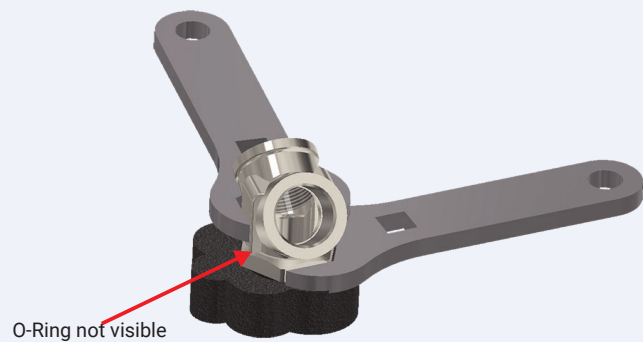


2. Ensure that the threaded entry on the equipment has a flat, square surface to engage the sealing gasket. Tighten the adaptor, complete with sealing gasket, into the equipment until it is fully secured noting the maximum torque figures in the table overleaf.



3. Unscrew the adaptor a maximum of 360° until it is pointing in the desired direction.

4. Hold the adaptor in the required orientation with a spanner and tighten the locking nut noting the maximum torque figures in the table overleaf.



5. Check that the O-ring seal is not visible (this ensures that the required number of threads are engaged in the equipment). If the O-ring is visible then repeat steps 1 to 4 correctly.

6. Hold the Adjustable Y Adaptor flats using a spanner whilst fitting a cable gland to the female thread.

