

# 90° FIXED ADAPTOR

Ex db, Ex eb, Ex ta, IP65/66/68

for General Industrial and Hazardous Area Installations



## Features and Benefits

- Precision manufactured from high quality brass (Marine Grade Electroless Nickel Plated™).
- Supplied with sealing gasket as standard.
- Available in Metric BSPP, BSPT, ET and NPT thread forms.

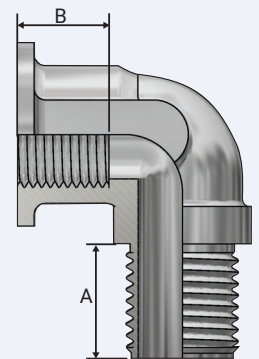


## Technical Data

Type:	90° Fixed Adaptor
Material	
Adaptor:	Brass (Marine Grade Electroless Nickel Plated™)
Sealing Gasket:	Standard HDPE / Nylon or Extreme Temp. PTFE
Note:	The installer should ensure that the materials are suitable for the installation environment.

## Standards and Certifications

Equipment Protection Levels:	IECEX/INMETRO: Ex db I Mb, Ex eb I Mb; Ex db IIC Gb, Ex eb IIC Gb, Ex ta IIIC Da ATEX/UKEX: Ⓢ I M2 Ex db I Mb, Ex eb I Mb; Ⓢ II 2G 1D Ex db IIC Gb, Ex eb IIC Gb, Ex ta IIIC Da NEC / CEC: Class I/II/III Div. 1,2; Class I, Zone 1; Zone 21 AEx / Ex db IIC Gb, AEx/ Ex eb IIC Gb, AEx/ Ex ta IIIC Da	
Operating temperature range:	-60°C to +95°C / 100°C (HDPE / Nylon sealing gasket) -60°C to 160°C (PTFE sealing gasket), -60°C to 100°C (Thread Grease)	
Conformance:	Standard:	Certificate:
IECEX	IEC 60079 Part 0, 1, 7, 31	IECEX TSA 23.0023U
ATEX	EN 60079 Part 0, 1, 7, 31	CML 16ATEX1137U
UKEX	BS EN 60079 Part 0, 1, 7, 31	CML 21UKEX1012U
NEC	UL514B, UL2225, UL60079 Parts 0, 1, 7, 31	E115595
CEC	CSA C22.2 No. 18.3-12, 174 CSA C22.2 No. 60079 Part 0, 1, 7, 31	
INMETRO (Brazil)	ABNT NBR IEC 60079 Part 0, 1, 7, 31	TÜV 16.1856U
SANS	SANS/IEC 60079 Part 0, 1, 7, 31	MASC MS/23-9594X
IP66/68 - Parallel	IEC 60529	CML 15Y728
IP65	IEC 60529	
IP68 - Tapered and approved grease	IEC 60529	IECEX TSA 23.0023U
Deluge Protection	DTS-01	CML 14CA370-2
Marine ABS	IEC 60079 Part 0, 1, 7, 15, 31, IEC 60529	ABS 20-SG1952706-1 PDA



## Conditions for Safe Use

- The service temperature range of -60°C to +95°C / 100°C / 160°C (HDPE / Nylon / PTFE sealing gaskets) -60°C to 100°C (thread grease) shall not be exceeded.
- All adaptors are rated IP65 for any sealing arrangement. If an IP rating of IP66/67/68 is required then the supplied sealing gasket shall be used. IP66/67/68 can also be achieved on threaded entries using an approved grease.

Product Code	Male Thread		Female Thread		Installation Torque Value Nm
	Type	Minimum Length 'A'	Type	Minimum Length 'B'	
FELBM20M20E	M20x1.5	17.0	M20x1.5	16.0	21.0
FELBM25M25E	M25x1.5	17.0	M25x1.5	16.0	30.0
FELBM32M32E	M32x1.5	17.0	M32x1.5	16.0	42.0
FELBM20N012E	M20x1.5	17.0	½ NPT	16.0	21.0
FELBM25N034E	M25x1.5	17.0	¾ NPT	16.0	30.0
FELBM32N001E	M32x1.5	17.0	1 NPT	16.0	42.0
FELBN012M20E	½ NPT	16.0	M20x1.5	17.0	21.0
FELBN034M20E	¾ NPT	16.0	M20x1.5	17.0	30.0
FELBN034M25E	¾ NPT	16.0	M25x1.5	17.0	30.0
FELBN001M32E	1 NPT	16.0	M32x1.5	17.0	42.0

All dimensions except NPT are in mm. For other thread types, contact CCG.

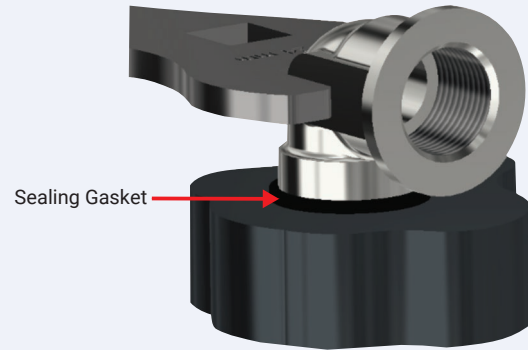
CCG reserves the right to make alterations to the technical data, dimensions, designs and products available without notice. The illustrations cannot be considered binding. Please contact CCG for assistance.

FELB-AD010424

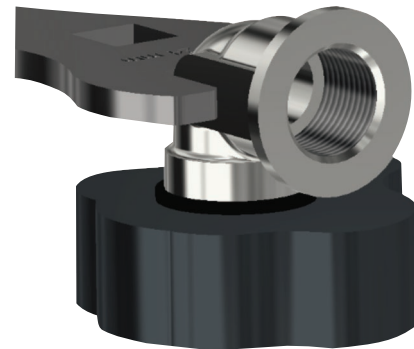
# 90° FIXED ADAPTOR

1. Ensure that the threaded entry on the equipment has a flat, square surface to engage the sealing gasket. Tighten the adaptor, complete with sealing gasket, into the equipment using a spanner until it is fully secured, noting the maximum torque figures in the table overleaf.

If the gland has NPT entry threads fitted to a threaded entry then IP68 (2m) can be achieved by applying one of the following tested and approved grease types to the thread:- Renolit Lubrene CA700 or LX220 EP2, Renolit LC-WP2 or Moly LX2, or Dow Corning 4 Electrical Compound.



2. If fitting to a clearance hole, secure the adaptor using a locknut. (Use a locknut and a serrated gasket in high vibration areas.)



3. Ensure the adaptor is securely positioned and hold the adaptor flats using a spanner whilst fitting a cable gland to the female thread.

