

INSULATED ADAPTOR

Ex db, Ex eb, Ex ta, Ex nR, IP65/66/68

for General Industrial and Hazardous Area Installations



Features and Benefits

- Precision manufactured from high-quality brass (Marine Grade Electroless Nickel Plated™) available in aluminium or stainless steel 316/316L on request. (Note: Aluminium not suitable for Group I applications.)
- Insulator manufactured from Nylon.
- Providing electrical insulation between a cable gland or conduit fitting and an electrical apparatus.



Technical Data

Type:	Insulated Adaptor
Material:	Brass (Marine Grade Electroless Nickel Plated™), Aluminium, Stainless Steel 316/316L, Insulator manufactured from Nylon
Gasket material:	Standard HDPE, Nylon
Note:	The installer should check that the materials are suitable for the installation environment.

Standards and Certifications

Equipment Protection Levels:	IECEX: Ex db IIC Gb / Ex eb IIC Gb / Ex ta IIIC Da / Ex nR IIC Gc ATEX/UKEX: I M2 Ex db I Mb / Ex eb I Mb, II 2G 1D Ex db IIC Gb / Ex eb IIC Gb / Ex ta IIIC Da TR CU: 1 Ex d IIC Gb X / 1 Ex e IIC Gb X / 2 Ex nR IIC Gc X / Ex tb IIIC Db X CCC: Ex d IIC Gb, Ex e IIC Gb, Ex tD A21 IP65/66/67/68	
Conformance:	Standard:	Certificate:
IECEX	IEC 60079 Part 0, 1, 7, 15, 31 IEC 60079 Part 0, 1, 7, 31	IECEX CML 16.0062X IECEX ITA 13.0005X
ATEX	EN 60079 Part 0, 1, 7, 31	CML15ATEX1040X
UKEX	BS EN 60079 Part 0, 1, 7, 31	CML21UKEX1014X
TR CU (Russia)	ГОСТ 31610-0, 15, ГОСТ IEC 60079-1 ГОСТ P MЭК 60079-7, 31	EA3C RU C-ZA.HA91.B.00244/21
CCC / CNEx (Chinese)	GB/T3836.1-2021, GB/T3836.2-2021, GB/T3836.3-2021, GB/T3836.31-2021	CNEx 21.3391X, CCC 2021312313000391
SANS	SANS/IEC 60079 Part 0, 1, 7, 31 SANS/IEC 60529	MASC MS/15-1153X
IP66/68 2m - Parallel	IEC 60529	CML 15ATEX1040X
IP65/66 - Tapered	IEC 60529	
Deluge Protection	DTS-01	CML 14CA370-2
Marine ABS	IEC 60079 Part 0, 1, 7, 15, 31, IEC 60529	ABS 20-SG1952706-1-PDA
DNV-GL	IEC 60079 Part 0, 1, 7, IEC 60529	DNV-GL TAE0000010

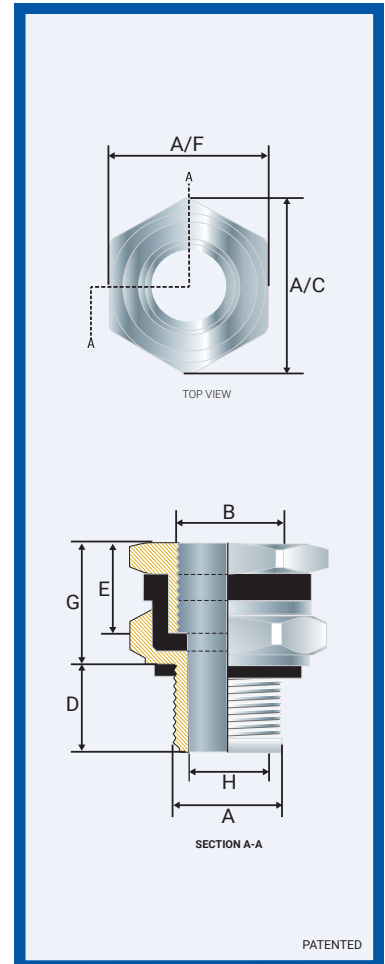


Conditions for Safe Use

- An IP rating of IP 66/68 is maintained for units with parallel threads when used with the supplied washer. (IP65 for tapered threads)
- A service temperature range of -20°C to +95°C should not be exceeded.
- A blanking element may not be used on an Insulated Adaptor.

Installation instructions

- Installation should only be carried out by a competent person using the correct tools.
- Ensure that the thread type and size are compatible with the equipment being installed to.
- Tighten the entry item to the torque in the table and then hold the outer with a spanner while the gland is tightened to it.



Product Code	Male Thread 'A'	Female Thread 'B'	Hexagonal Detail		Male Thread Length Min "D"	Female Thread Length Min "E"	Dim "G"	Dia "H"	*Install. Torque Value Nm
			Max 'Flats'	Max 'Crns'					
AM016M016-INSA	M16	M16	27.0	30.4	15.0	15.0	27.0	9.5	40.0
AM020M020-INSA	M20	M20	32.0	36.0	15.0	15.0	24.0	15.0	40.0
AM025M025-INSA	M25	M25	38.0	42.8	15.0	15.0	24.0	20.5	55.0
AM032M032-INSA	M32	M32	45.0	50.6	15.0	15.0	24.0	27.0	65.0
AM040M040-INSA	M40	M40	52.0	58.5	15.0	15.0	28.0	35.0	80.0
AM050M050-INSA	M50	M50	65.0	73.1	15.0	15.0	28.0	45.0	100.0
AM063M063-INSA	M63	M63	80.0	90.0	15.0	15.0	32.0	57.0	115.0
AM075M075-INSA	M75	M75	96.0	108.0	15.0	15.0	35.0	68.0	140.0
AM080M080-INSA	M80	M80	96.0	108.0	20.0	20.0	35.0	74.0	160.0
AM090M090-INSA	M90	M90	110.0	124.9	20.0	20.0	40.0	82.0	180.0
AM100M100-INSA	M100	M100	125.0	140.6	20.0	20.0	45.0	92.0	200.0
AN012N012-INSA	½" NPT	½" NPT	35.0	39.4	15.0	15.0	24.0	9.5	40.0
AN034N034-INSA	¾" NPT	¾" NPT	40.0	45.0	15.0	15.0	24.0	15.0	55.0
AN001N001-INSA	1" NPT	1" NPT	47.0	52.9	15.0	18.0	24.0	20.5	65.0
AN114N114-INSA	1¼" NPT	1¼" NPT	55.0	61.9	15.0	19.0	28.0	27.0	80.0
AN112N112-INSA	1½" NPT	1½" NPT	65.0	73.1	15.0	19.0	28.0	35.0	100.0
AN002N002-INSA	2" NPT	2" NPT	80.0	90.0	15.0	25.0	32.0	45.0	115.0
AN212N212-INSA	2½" NPT	2½" NPT	96.0	108.0	15.0	25.0	35.0	57.0	140.0
AN003N003-INSA	3" NPT	3" NPT	111.0	124.9	15.0	27.0	40.0	68.0	160.0
AN312N312-INSA	3½" NPT	3½" NPT	125.0	140.6	20.0	29.0	45.0	74.0	180.0
AN004N004-INSA	4" NPT	4" NPT	140.0	157.5	20.0	29.0	45.0	82.0	200.0

All dimensions except NPT are in mm. Insulated adaptors can be supplied with BSP/BSPT threads and with the female thread any size smaller than the male thread. * Torque value should be chosen based on the largest thread.

CCG reserves the right to make alterations to the technical data, dimensions, designs and products available without notice. The illustrations cannot be considered binding. Please contact CCG for assistance.

INSADAPTOR-INAD080323