

# SINGLE CABLE CLEAT

## SINGLE CABLE TYPE



### Features and Benefits

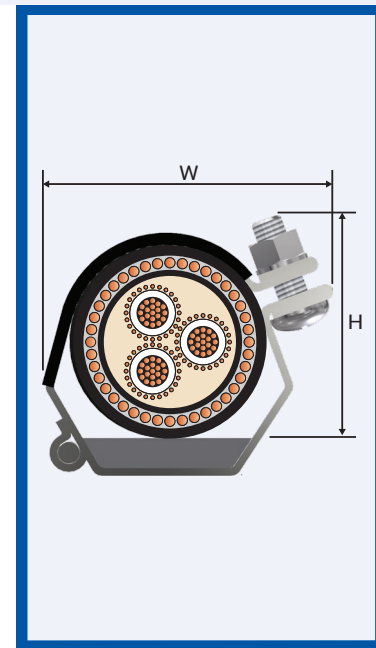
- Used to restrain single cables (single core or multi-core) onto cable ladder, tray or strut systems.
- Open hinge system allows easy placement of the cable into the cleat prior to tightening.
- Manufactured from corrosion resistant, non-magnetic 316 stainless steel.
- Complete with LSOH polymeric liners to protect the cable sheath.
- Accessible clamping bolt allows easy tightening with a single tool.

### Construction

Frame:	Corrosion resistant, non-magnetic 316 stainless steel
Cable resting base:	LSF Polymeric composite
Liner:	LSF Polymeric composite
Locking hardware:	316 stainless steel M8 or M10 bolt and nylon locking nut

### Technical Specifications

Type:	Single Cable Cleat
Third party certified:	IEC 61914:2015
Lateral Load test:	Average 25 kg
Axial Load test:	Pass according to IEC 61914:2015
Impact resistance:	Very Heavy
Temperature range:	-40°C to +105°C
Needle flame test:	650°C for 30 seconds



### Standards and Certifications

Conformance:	Standard:	Certificate:
Marine DNV	IEC 61914	TAE00004C3



Product Code	Cable Range		Dimensions	
	Min. Dia. mm	Max. Dia. mm	Height mm	Width mm
CC-S2832	28.0	32.0	60.0	57.0
CC-S3034	30.0	34.0	61.0	59.0
CC-S3236	32.0	36.0	63.0	61.0
CC-S3438	34.0	38.0	65.0	63.0
CC-S3640	36.0	40.0	67.0	64.0
CC-S3842	38.0	42.0	69.0	65.0
CC-S4044	40.0	44.0	70.0	68.0
CC-S4246	42.0	46.0	71.0	69.0
CC-S4448	44.0	48.0	73.0	72.0
CC-S4650	46.0	50.0	74.0	73.0
CC-S4852	48.0	52.0	75.0	77.0
CC-S5054	50.0	54.0	78.0	78.0
CC-S5256	52.0	56.0	79.0	80.0
CC-S5458	54.0	58.0	80.0	82.0
CC-S5660	56.0	60.0	81.0	85.0
CC-S5862	58.0	62.0	82.0	87.0
CC-S6064	60.0	64.0	85.0	88.0
CC-S6266	62.0	66.0	87.0	90.0
CC-S6468	64.0	68.0	89.0	91.0
CC-S6670	66.0	70.0	90.0	92.0
CC-S6872	68.0	72.0	92.0	94.0
CC-S7074	70.0	74.0	95.0	97.0
CC-S7276	72.0	76.0	97.0	99.0
CC-S7478	74.0	78.0	98.0	102.0
CC-S7680	76.0	80.0	100.0	104.0
CC-S7882	78.0	82.0	102.0	106.0
CC-S8084	80.0	84.0	105.0	107.0
CC-S8286	82.0	86.0	107.0	110.0
CC-S8488	84.0	88.0	109.0	111.0
CC-S8690	86.0	90.0	110.0	113.0
CC-S9094	90.0	94.0	115.0	121.0
CC-S94118	94.0	118.0	133.0	139.0
CC-S118130	118.0	130.0	140.0	144.0
CC-S127150	127.0	150.0	161.0	166.0

CCG reserves the right to make alterations to the technical data, dimensions, designs and products available without notice. The illustrations cannot be considered binding. Please contact CCG for assistance.