



A2EX-FHC VX

Ex db IIC, Ex eb IIC, Ex ta IIIC, Ex nR IIC

VORTEX BARRIER GLAND for Single or Multi-Core Unfilled Unarmoured Cable Housed In Conduit

Features and Benefits

- For indoors and outdoors, Group II, III, Zone 1, 2, 20, 21, and 22 hazardous areas.
- For unfilled hygroscopic multicore cables used in rigid or flexible conduit, refer to IEC 60079-14; 9.3.2 and 10.6.2a, IEC 61892-7, 10.6 and 10.7.
- Harder outer seal grips the cable, giving superior cable retention and IP rating.
- Fitted with a rotating female connection for connection to a conduit.
- Instantly mixed and injected resin forms a 100% barrier seal around the individual cores of the cable.
- Prevents explosive gases and/or liquids from transmitting down the cable.
- Precision manufactured from high-quality brass (Marine Grade Electroless Nickel Plated™) available in stainless steel 316/316L on request.
- Supplied with a thread-sealing gasket (parallel threads only).

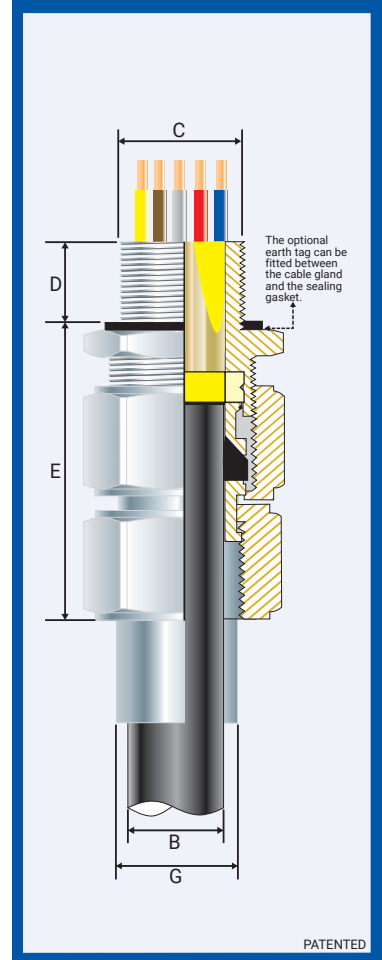


Technical Data

Type:	A2EX-FHC VX (Vortex®)
Gland Material:	Brass (Marine Grade Electroless Nickel Plated™), Stainless Steel 316/316L
Seal Material:	Standard Thermoset Elastomer or Extreme Temperature Seals, Quick setting Barrier Resin
Sealing Gasket Material:	HDPE, Nylon 66 or PTFE
Cable Type:	Single or Multi-Core Unarmoured Housed in Conduit
Sealing Area:	Outer Sheath and VORTEX® Resin around Cable Conductors
Optional Accessories:	Adaptor, Reducer, Earth Tag, Locknut, Serrated Washer and Shroud
Note:	The installer should ensure that the materials are suitable for the installation environment.

Standards and Certifications

Equipment Protection Levels:	IECEX/INMETRO: Ex db IIC Gb, Ex eb IIC Gb, Ex nR IIC Gc, Ex ta IIIC Da ATEX/UKEX: Ex II 2/3G 1D, Ex db IIC Gb, Ex eb IIC Gb, Ex nR IIC Gc, Ex ta IIIC Da TR CU: Ex 1Ex d IIC Gb X / 1Ex e IIC Gb X / 2Ex nR IIC Gc X / Ex ta IIIC Da X CCC: Ex db IIC Gb, Ex eb IIC Gb, Ex ta IIIC Da	
Continuous Operating Temp:	-60°C to +100°C	
Conformance:	Standard: Certificate:	
IEC/BS EN	IEC/BS EN 62444, 6121	CML 14CA364
IECEX	IEC 60079 Part 0, 1, 7, 15, 31	IECEX CML 20.0011
ATEX	EN 60079 Part 0, 1, 7, 31 EN 60079 Part 0, 15	CML 20ATEX1026 CML 22ATEX4116
UKEX	BS EN 60079 Part 0, 1, 7, 31 BS EN 60079 Part 0, 15	CML 21UKEX1013 CML 22UKEX4117
INMETRO (Brazil)	ABNT NBR IEC 60079 Part 0, 1, 7, 15, 31	TÜV 24.0267
TR CU (Russia)	ГОСТ 31610-0, 15, ГОСТ IEC 60079-1 ГОСТ P МЭК 60079-7, 31	EAЭC RU C-ZA.HA91.B.00245/21
CCC/CNEx (Chinese)	GB/T3836.1, 2, 3, 31-2021	CNEx 21.3386X CCC 2021312313000395
SANS	SANS/IEC 60079 Part 0, 1, 7, 15, 31	MASC S/20-9022
IP66/68 100m - Parallel	IEC 60529	CML 15Y728
IP65 - Tapered	IEC 60529	
IP68 - Tapered and approved grease	IEC 60529	IECEX CML 20.0011
Deluge Protection	DTS-01	CML 14CA370-2
Corrosion Protection	ASTM B117-11, BS EN ISO 3231	EXOVA N968667
Marine ABS	IEC/EN 60079 Part 0, 1, 7, 15, 31	ABS 20-1952706-1-PDA
DNV	IEC 60079 Part 0, 1, 7, IEC 60529	TAE0000010
EMC Compatible	EN 55011, + A1, EN 55022	SGS EMC305079/1



Conditions for Safe Use - X

None.

Product Code	Gland Size Ref	Metric Entry Thread		NPT Entry Thread		Cable Detail		Max Length 'E'	Max Dia. Over Cores	Max No. of Cores	Female Conduit Thread		Hexagonal Detail		Install. Torque Value Nm
		'C'	Min 'D'	'C'	Min 'D'	Min 'B'	Max 'B'				Metric 'G'	NPT 'G'	Max 'Flats'	Max 'Crns'	
057800-16VX	00-16ss	M16x1.5	15			3.0	8.5	57.0	8.0	6	M16-M25	-	24.0	27.0	32.5
057800-VX	00-20ss	M20x1.5	15	1/2 3/4	15	3.0	8.5	57.0	10.7	10	M16-M25	1/2 3/4	24.0	27.0	32.5
05780-VX	0-20s	M20x1.5	15	1/2 3/4	15	7.0	12.0	57.0	10.9	10	M16-M25	1/2 3/4	24.0	27.0	32.5
057801-VX	1-20	M20x1.5	15	1/2 3/4	15	11.0	15.0	64.0	12.5	25	M16-M25	1/2 3/4	27.0	30.0	32.5
057822-VX	2s-25s	M25x1.5	15	3/4 1	15/19	11.5	17.5	71.0	16.5	48	M25	3/4 1	35.0	39.0	47.5
057802-VX	2-25	M25x1.5	15	3/4 1	15/19	15.0	20.0	71.0	16.5	48	M25	3/4 1	35.0	39.0	47.5
057833-VX	3s-32s	M32x1.5	15	1 1/4	19	16.0	22.0	85.0	24.0	76	M32	1 1/4	42.0	47.0	55.0
057803-VX	3-32	M32x1.5	15	1 1/4	19	20.0	26.5	85.0	24.0	76	M32	1 1/4	42.0	47.0	55.0
057844-VX	4s-40s	M40x1.5	15	1 1/4 1 1/2	19/21	22.0	31.5	102.0	32.0	96	M40	1 1/4 1 1/2	52.0	59.0	65.0
057804-VX	4-40	M40x1.5	15	1 1/4 1 1/2	19/21	26.0	34.0	102.0	32.0	96	M40	1 1/4 1 1/2	52.0	59.0	65.0
057855-VX	5s-50s	M50x1.5	15	1 1/2 2	21	29.0	38.0	112.0	36.3	96	M50	1 1/2 2	65.0	73.0	82.5
057805-VX	5-50	M50x1.5	15	1 1/2 2	21	34.0	44.5	112.0	36.3	96	M50	1 1/2 2	65.0	73.0	82.5
057866-VX	6s-63s	M63x1.5	15	2 2/2 2 1/30	21/30	38.0	50.0	144.0	47.9	100	M63	2 2/2 2 1/30	80.0	90.0	97.5
057806-VX	6-63	M63x1.5	15	2 2/2 2 1/30	21/30	44.5	56.5	144.0	47.9	100	M63	2 2/2 2 1/30	80.0	90.0	97.5
057877-VX	7s-75s	M75x1.5	15	2 1/2 3 30/32	30/32	50.0	62.0	164.0	60.0	120	M75	2 1/2 3 30/32	96.0	108.0	115.5
057807-VX	7-75	M75x1.5	15	2 1/2 3 30/32	30/32	56.0	67.5	164.0	60.0	120	M75	2 1/2 3 30/32	96.0	108.0	115.5
057808-VX	8-80	M80x2.0	20	3	32	59.0	69.0	175.0	61.5	140	M80	3	96.0	108.0	120.0
057899-VX	9s-90s	M90x2.0	20	3 3/2 32/33	32/33	60.0	75.0	184.0	70.5	160	M90	3 3/2 32/33	111.0	125.0	120.0
057809-VX	9-90	M90x2.0	20	3 3/2 32/33	32/33	73.0	81.5	184.0	70.5	160	M90	3 3/2 32/33	111.0	125.0	120.0
057810-VX	10-100	M100x2.0	20	3 3/2 34	33/34	81.0	92.0	189.0	79.0	180	M100	3 3/2 34	125.0	141.0	120.0
057811-VX	11-115	M115x2.0	20	4	34	91.0	101.0	189.0	-	-	M115	4	135.0	152.0	175.0

All dimensions except NPT are in mm. Male Entry Thread 'C' and Female Entry Thread 'B' can be any combination of either NPT or Metric threads. Intermediate thread sizes are available on request. NPT threads should be tightened 'wrench tight'.

CCG reserves the right to make alterations to the technical data, dimensions, designs and products available without notice. The illustrations cannot be considered binding. Please contact CCG for assistance.

A2EXFHC-VX-BG300125E

A2EX-FHC VX (VORTEX®) BARRIER COMPRESSION GLAND

ENCLOSURES AND EQUIPMENT TO WHICH CABLE GLANDS ARE FITTED:-

- Must be made from materials which are compatible with the cable gland materials.
- Have a sealing area around the cable gland entry point with a surface roughness <math>< Ra 6.3 \mu m.</math>
- Have entries that are perpendicular to the enclosure face in the area where the cable gland will seal to within 2.5° .
- Are sealed using the supplied sealing gasket (parallel threads) or by fully tightening into a threaded entry (tapered threads). Note that for tapered threads the IP rating can be improved to IP68 with the use of a suitable thread sealant.

MUST HAVE THREADED ENTRIES

- The same thread size as the cable gland. (Thread adapters should be used to correct

any mismatch).

- With a thread tolerance of metric class '6H' or equivalent.
- Where the thread length is a minimum of 10mm for Ex d applications or 3mm for all other applications

OR CLEARANCE HOLES (not Ex d)

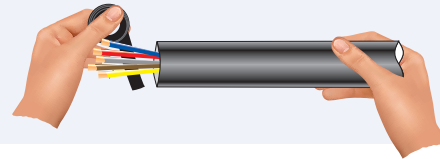
- Where the hole size is the thread nominal size with a tolerance of +0.1 to +0.7mm. (e.g. the clearance hole for an M20 thread will have a diameter between 20.1mm and 20.7mm).
- Through material that is between 1mm and 12mm thick. (Thicker materials can be accommodated using glands with extended entry threads.)

1. Strip back the outer sheath to expose the inner cable cores. Using a clean cloth, clean the cable cores insulation.

If the cable cores have screens these should be cut away or twisted together into a single core. This single core should be insulated with heat shrink tubing or coated with insulating varnish. Any drain wires should also be insulated with heat shrink tubing or coated with insulating varnish.

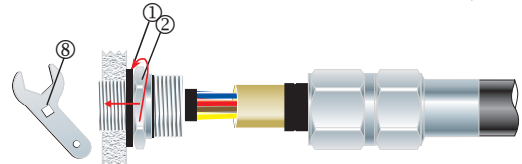


2. Using insulation tape, bundle the cores together at the end.

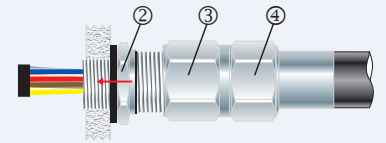


3. To maintain IP66/68, ensure the thread gasket ① is in place. Screw the gland unit into the apparatus. Tighten the inner ② until hand tight using a CCG Spanner ⑧ to the installation torque. If the apparatus is untapped use a locknut.

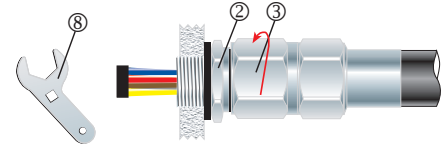
If the gland has NPT entry threads fitted to a threaded entry then IP68 (2m) can be achieved by applying one of the following tested and approved grease types to the thread:- Renolit Lubrene CA700 or LX220 EP2, Renolit LC-WP2 or Moly LX2, or Dow Corning 4 Electrical Compound.



4. Pass the bundled cable cores through the outer ③ and female rotating thread ④. Pass the bundled cables cores through the inner ② and inner diaphragm seal.



5. Tighten the outer ③ onto the inner ② until hand tight, then tighten with a CCG Spanner ⑧ with $\frac{3}{4}$ turn.



6. Unscrew the outer ③. Withdraw the barrier pot sub-assembly ⑤ and bundled cable. Remove the insulation tape.

Only Resin supplied by CCG may be used in the glands.

7. Remove the cap ⑧ from resin applicator and attach the mixing nozzle ⑨ (use extension nozzle for small multicore cables). Whilst holding the barrier pot sub-assembly ⑤ upright and holding the diaphragm seal firmly against the cable sheath, inject the resin into the resin chamber*. Ensure the resin fills the inspectible resin seal pot ⑥ all the way to the top of the protective resin pot ⑦ and wipe any excess resin away.

Wait for the resin to change from a liquid to a solid state, this should take:

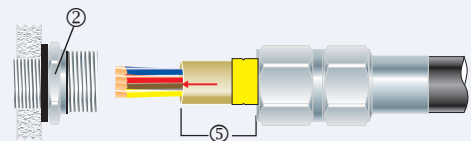
- 15 minutes at $10^\circ C$
- 7 minutes at $20^\circ C$
- 6 minutes at $30^\circ C$
- 5 minutes at $40^\circ C$

The cable gland can now be handled safely, and the resin will continue to cure until it reaches its full hardness.

For installations in less than $5^\circ C$ Ambient, warm the Resin tube in warm water at $\pm 50^\circ C$. If there is still resin left in the tube, discard the mixing nozzle ⑨ and replace the cap ⑧ for use with the next gland.* The installation is acceptable if the cable sheath is pushed 2mm or 3mm into the resin seal.



8. Pass the cable end through the barrier pot sub-assembly ⑤ and through the inner ②.



9. Tighten the outer ③ onto the inner ② to the installation torque using a CCG Spanner ⑧. Fit the threaded conduit thread ⑨ into the female rotating threads ④ as indicated.

