



A2F VX

Ex db I/IIC, Ex eb I/IIC, Ex ta IIIC, Ex nR IIC

VORTEX BARRIER COMPRESSION GLAND for Single or Multi-Core Unfilled Unarmoured Cable

Features and Benefits

- Passes the IECEx, UKEX, and ATEX 100% pull test, so no additional cable clamping is required.
- For indoor, outdoor, Group I, II, III, Zone 1, 2, 20, 21 and 22 hazardous areas
- Fitted with a specially formulated elastomeric displacement seal, giving superior cable retention, explosion protection, and IP rating.
- Precision manufactured from high-quality brass (Marine Grade Electroless Nickel Plated™) available in aluminium or stainless steel 316/316L on request. (Note: Aluminium is not suitable for Group I applications.)
- Supplied with a thread-sealing gasket (parallel threads only).

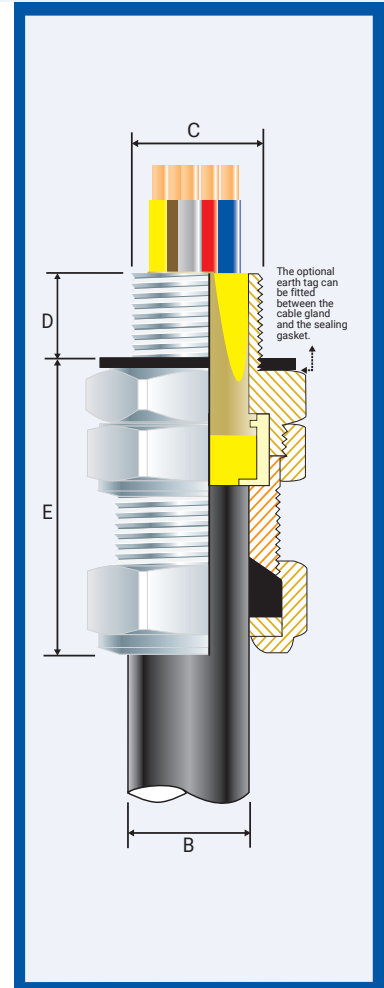


Technical Data

Type:	A2F VX (VORTEX™)
Gland Material:	Brass (Marine Grade Electroless Nickel Plated™), Aluminium or Stainless Steel 316/316L
Seal Material:	Standard Thermoset Elastomer, Quick Setting Injection Barrier Resin
Sealing Gasket Material:	HDPE, Nylon 66 or PTFE
Cable Type:	Single or Multi-Core Unarmoured
Sealing Area:	Outer Sheath and VORTEX® Resin around Cable Conductors
Optional Accessories:	Adaptor, Reducer, Earth Tag, Locknut, Serrated Washer and Shroud
Note:	The installer should ensure that the materials are suitable for the installation environment.

Standards and Certifications

Equipment Protection Levels:	IECEX: Ex db eb I Mb, Ex db eb IIC Gb, Ex nR IIC Gc, Ex ta IIIC Da ATEX/UKEX: Ⓢ I M2, Ⓢ II 2/3 G, Ex db eb I Mb, Ex db eb IIC Gb, Ex nR IIC Gc, Ex ta IIIC Da	
Continuous Operating Temp:	-60°C to +100°C	
Conformance:	Standard:	Certificate:
IEC/BS EN	IEC/BS EN 62444	CML 14CA364
IECEX	IEC 60079 Part 0, 1, 7, 15, 31	IECEX TSA 23.0026
ATEX	EN 60079 Part 0, 1, 7, 31 EN 60079 Part 0, 15	CML 20ATEX1026 CML 22ATEX4116
UKEX	BS EN 60079 Part 0, 1, 7, 31 BS EN 60079 Part 0, 15	CML 21UKEX1013 CML 22UKEX4117
SANS	SANS/IEC 60079 Part 0, 1, 7, 15, 31	MASC S/20-9022
IP66/68 850m – Parallel	IEC 60529	CML 15Y728
IP65/66 – Tapered	IEC 60529	
IP68 – Tapered and approved grease	IEC 60529	IECEX TSA 23.0026
Deluge Protection	DTS-01	CML 14CA370-2
Corrosion Protection	ASTM B117-11, BS EN ISO 3231	EXOVA N968667
Marine ABS	IEC/EN 60079 Part 0, 1, 7, 15, 31	ABS 20-1952706-1-PDA



Conditions for Safe Use - X

- None.

Product Code	Gland Size Reference	Metric Entry Thread		NPT Entry Thread		Cable Detail		Max Length 'E'	Max Dia. Over Cores	Max No. of Cores	Hexagonal Detail		Instal. Torque Value Nm
		'C'	Min 'D'	'C'	Min 'D'	Min 'B'	Max 'B'				Max 'Flats'	Max 'Crns'	
041200-16	00-16ss	M16x1.5	15	-	-	3.0	8.5	25.0	8.0	6	24.0	27.0	32.5
041200	00-20ss	M20x1.5	15	1/2 3/4	15	3.0	8.5	25.0	10.7	10	24.0	27.0	32.5
0412-0	0-20s	M20x1.5	15	1/2 3/4	15	7.0	12.0	25.0	10.9	10	24.0	27.0	32.5
041201	1-20	M20x1.5	15	1/2 3/4	15	11.0	15.0	30.0	12.5	25	27.0	30.0	32.5
041222	2s-25s	M25x1.5	15	3/4 1	15/19	11.5	17.5	30.0	16.5	48	35.0	39.0	47.5
041202	2-25	M25x1.5	15	3/4 1	15/19	15.0	20.0	30.0	16.5	48	35.0	39.0	47.5
041233	3s-32s	M32x1.5	15	1 1/4	19	16.0	22.0	30.0	24.0	76	42.0	47.0	55.0
041203	3-32	M32x1.5	15	1 1/4	19	20.0	26.5	30.0	24.0	76	42.0	47.0	55.0
041244	4s-40s	M40x1.5	15	1 1/4 1 1/2	19/21	22.0	31.5	38.0	32.0	96	52.0	59.0	65.0
041204	4-40	M40x1.5	15	1 1/4 1 1/2	19/21	26.0	34.0	38.0	32.0	96	52.0	59.0	65.0
041255	5s-50s	M50x1.5	15	1 1/2 2	21	29.0	38.0	46.0	36.3	96	65.0	73.0	82.5
041205	5-50	M50x1.5	15	1 1/2 2	21	34.0	44.5	46.0	36.3	96	65.0	73.0	82.5
041266	6s-63s	M63x1.5	15	2 1/2 3	21/30	38.0	50.0	52.0	47.9	100	80.0	90.0	97.5
041206	6-63	M63x1.5	15	2 1/2 3	21/30	44.5	56.5	52.0	47.9	100	80.0	90.0	97.5
041277	7s-75s	M75x1.5	15	2 1/2 3	30/32	50.0	62.0	54.0	60.0	120	96.0	108.0	115.5
041207	7-75	M75x1.5	15	2 1/2 3	30/32	56.0	67.5	54.0	60.0	120	96.0	108.0	115.5
041208	8-80	M80x2.0	20	3	32	59.0	69.0	68.0	61.5	140	96.0	108.0	120.0
041299	9s-90s	M90x2.0	20	3 3/2	32/33	60.0	75.0	70.0	70.5	160	111.0	125.0	120.0
041209	9-90	M90x2.0	20	3 3/2	32/33	73.0	81.5	70.0	70.5	160	111.0	125.0	120.0
041210	10-100	M100x2.0	20	3 1/2 4	33/34	81.0	91.0	70.0	79.0	180	125.0	141.0	120.0
041211	11-115	M115x2.0	20	4	34	91.0	101.0	70.0	-	-	135.0	152.0	175.0
041212	12-120	M120x2.0	20	-	-	101.0	109.0	70.0	-	-	140.0	158.0	175.0
041213	13-130	M130x2.0	20	-	-	109.0	116.0	70.0	-	-	146.0	164.0	175.0

All dimensions except NPT are in mm. Intermediate thread sizes are available on request. NPT threads should be tightened 'wrench tight'

CCGG reserves the right to make alterations to the technical data, dimensions, designs and products available without notice. The illustrations cannot be considered binding. Please contact CCGG for assistance.

A2FVX_BG120325

A2F VX (VORTEX®) BARRIER COMPRESSION GLAND

ENCLOSURES AND EQUIPMENT TO WHICH CABLE GLANDS ARE FITTED:-

- Must be made from materials which are compatible with the cable gland materials.
- Have a sealing area around the cable gland entry point with a surface roughness <math>< Ra 6.3 \mu m.</math>
- Have entries that are perpendicular to the enclosure face in the area where the cable gland will seal to within 2.5°.
- Are sealed using the supplied sealing gasket (parallel threads) or by fully tightening into a threaded entry (tapered threads). Note that for tapered threads the IP rating can be improved to IP68 with the use of a suitable thread sealant.

MUST HAVE THREADED ENTRIES

- The same thread size as the cable gland. (Thread adapters should be used to correct

any mismatch).

- With a thread tolerance of metric class '6H' or equivalent.
- Where the thread length is a minimum of 10mm for Ex d applications or 3mm for all other applications

OR CLEARANCE HOLES (not Ex d)

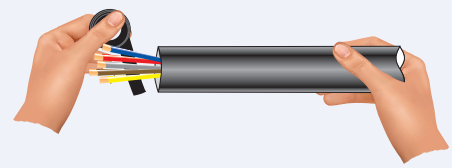
- Where the hole size is the thread nominal size with a tolerance of +0.1 to +0.7mm. (e.g. the clearance hole for an M20 thread will have a diameter between 20.1mm and 20.7mm).
- Through material that is between 1mm and 12mm thick. (Thicker materials can be accommodated using glands with extended entry threads.)

1. Strip back the outer sheath to expose the inner cable cores. Remove all exposed tapes and foils. Using a clean cloth, clean the cable cores insulation.

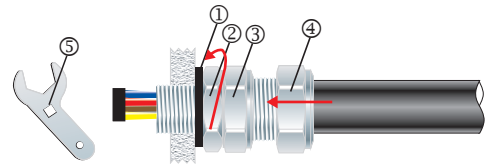
If the cable cores have screens these should be cut away or twisted together into a single core. This single core should be insulated with heat shrink tubing or coated with insulating varnish. Any drain wires should also be insulated with heat shrink tubing or coated with insulating varnish.



2. Using insulation tape, bundle the cores together at the end.

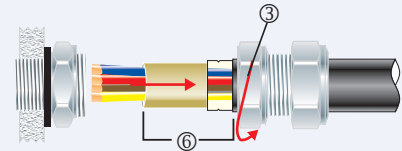


3. To maintain IP66/68, ensure that the gasket ① is in place. Screw the gland unit into the apparatus and tighten the inner ② using a CCG spanner ⑤. Slacken, but do not remove, the outer seal nut ④. Pass the cable end through the outer seal nut ④ and push the bundled cable cores through the gland, taking care as it passes through the protective resin pot ⑧. Once the cable is correctly positioned, tighten the outer seal nut ④ to the recommended installation torque.



If the gland has NPT entry threads fitted to a threaded entry then IP68 (2m) can be achieved by applying one of the following tested and approved grease types to the thread:- Renolit Lubrene CA700 or LX220 EP2, Renolit LC-WP2 or Moly LX2, or Dow Corning 4 Electrical Compound.

4. Unscrew the coupling nut ③. Withdraw the cable and barrier pot sub-assembly ⑥. Remove the insulation tape.



Only Resin supplied by CCG may be used in the glands.

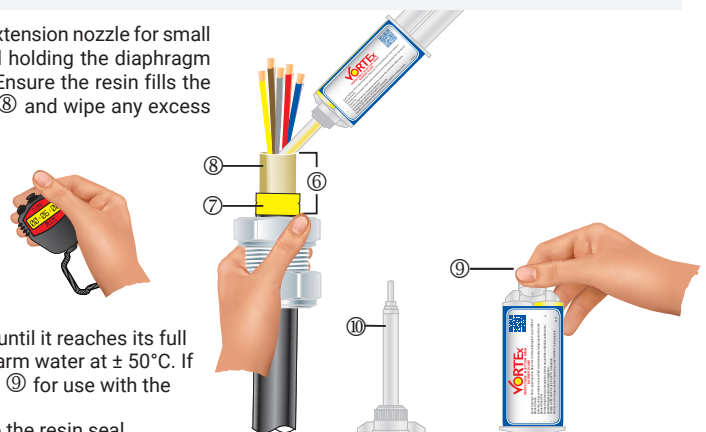
5. Remove the cap ⑨ from resin applicator and attach the mixing nozzle ⑩ (use extension nozzle for small multicore cables). Whilst holding the barrier pot sub-assembly ⑥ upright and holding the diaphragm seal firmly against the cable sheath, inject the resin into the resin chamber*. Ensure the resin fills the inspectible resin seal pot ⑦ all the way to the top of the protective resin pot ⑧ and wipe any excess resin away.

Wait for the resin to change from a liquid to a solid state, this should take:

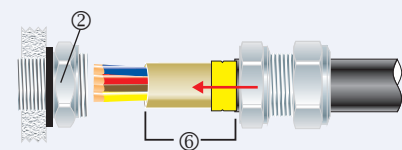
- 15 minutes at 10°C
- 7 minutes at 20°C
- 6 minutes at 30°C
- 5 minutes at 40°C

The cable gland can now be handled safely, and the resin will continue to cure until it reaches its full hardness. For installations in less than 5°C Ambient, warm the Resin tube in warm water at ± 50°C. If there is Resin left in the tube, discard the mixing nozzle ⑩ and replace the cap ⑨ for use with the next gland.

* The installation is acceptable if the cable sheath is pushed 2mm or 3mm into the resin seal.



6. Re-insert the barrier pot sub-assembly ⑥ back into the inner ②.



7. Tighten the coupling nut ③ to complete the assembly.

