



A2X

COMPRESSION GLAND

for Single and Multi-Core Unarmoured Cable

Features and Benefits

- For indoor and outdoor use.
- Seals the cable sheath to IP65/66/68.
- Specially formulated elastomeric seals.
- Double seal arrangement for added grip on the cable.
- Precision manufactured from high-quality brass (Nickel Plated) available in aluminium or stainless steel 316/316L on request.
- Complete with thread sealing gasket and heavy-duty locknut.

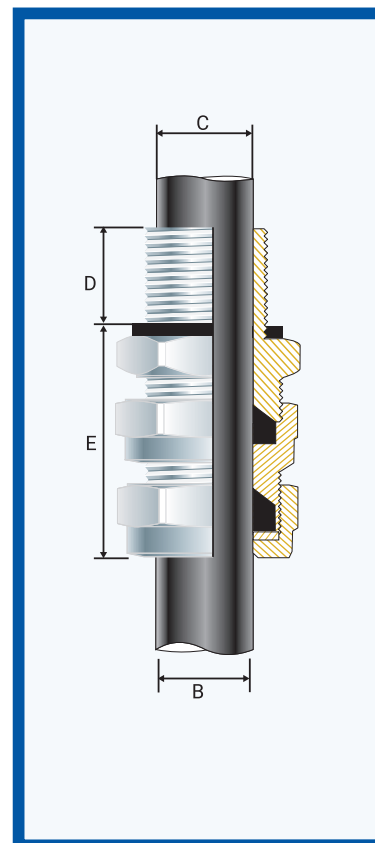


Technical Data

| | |
|-----------------------|---|
| Type: | A2X |
| Gland Material: | Brass (Nickel Plated) BS 2874, EN 12164, Aluminium ASTM BS221, Stainless Steel 316/316L |
| Seal Material: | Thermoset Elastomer or Silicone on request |
| Cable Type: | Single, Multi-Core Unarmoured |
| Sealing Area: | Outer Sheath |
| Optional Accessories: | Adaptor, Reducer, Earth Tag, Locknut, Serrated Washer and Shroud |

Standards and Certifications

| | | |
|----------------------------|--|---|
| Mechanical Properties: | Impact Category 8 Anchorage Type B | |
| Continuous Operating Temp: | -65°C to +120°C | |
| Conformance: | Standard: | Certification |
| Design Standards | BS 6121:Part 1 EN 50262 IEC/BS EN 62444 SANS 62444 SANS 1213 | CML 14CA364 CML 14CA364 CML 14CA364 MASC 22-9012 MASC 26-9013, SANS 2109/4596 CML 15Y728 |
| IP66/68 100m - Parallel | IEC 60529 | |
| IP65 - Tapered | IEC 60529 | |



Installation Standards

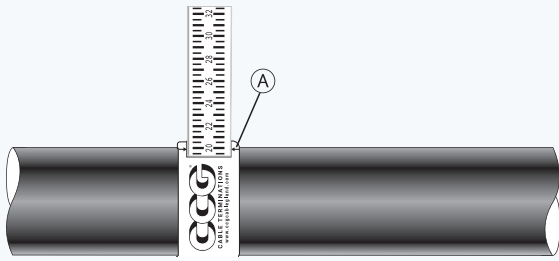
- AS/NZS 3000
- BS 6121-5
- BS 7671
- BS 7430
- IEC 60364-5-54
- SANS 0142

| Product Code | Gland Size Reference | Metric Entry Thread | | NPT Entry Thread | | Cable Detail | | Maximum Length 'E' | Hexagonal Detail | | Installation Torque Value Nm |
|--------------|----------------------|---------------------|---------|------------------|---------|--------------|---------|--------------------|------------------|------------|------------------------------|
| | | 'C' | Min 'D' | 'C' | Min 'D' | Min 'B' | Max 'B' | | Max 'Flats' | Max 'Crns' | |
| 054000-16S | 00-16S | M16x1.5 | 10 | - | - | 1.0 | 6.0 | 20.0 | 24.0 | 27.0 | 32.5 |
| 054000-16 | 00-16ss | M16x1.5 | 10 | - | - | 3.0 | 8.5 | 20.0 | 24.0 | 27.0 | 32.5 |
| 054000 | 00-20ss | M20x1.5 | 10 | 1/2/3/4 | 15 | 3.0 | 8.5 | 20.0 | 24.0 | 27.0 | 32.5 |
| 0540-0 | 0-20s | M20x1.5 | 10 | 1/2/3/4 | 15 | 7.0 | 11.5 | 20.0 | 24.0 | 27.0 | 32.5 |
| 054001 | 1-20 | M20x1.5 | 10 | 1/2/3/4 | 15 | 11.0 | 15.0 | 24.0 | 27.0 | 30.0 | 32.5 |
| 054022 | 2s-25s | M25x1.5 | 10 | 3/4/1 | 15/19 | 11.5 | 17.5 | 25.0 | 35.0 | 39.0 | 47.5 |
| 054002 | 2-25 | M25x1.5 | 10 | 3/4/1 | 15/19 | 15.0 | 20.0 | 25.0 | 35.0 | 39.0 | 47.5 |
| 054033 | 3s-32s | M32x1.5 | 10 | 1/1 1/4 | 19 | 16.0 | 22.0 | 30.0 | 42.0 | 47.0 | 55.0 |
| 054003 | 3-32 | M32x1.5 | 10 | 1/1 1/4 | 19 | 20.0 | 26.5 | 30.0 | 42.0 | 47.0 | 55.0 |
| 054044 | 4s-40s | M40x1.5 | 15 | 1 1/4/1 1/2 | 19/21 | 22.0 | 31.5 | 30.0 | 52.0 | 59.0 | 65.0 |
| 054004 | 4-40 | M40x1.5 | 15 | 1 1/4/1 1/2 | 19/21 | 26.0 | 34.0 | 30.0 | 52.0 | 59.0 | 65.0 |
| 054055 | 5s-50s | M50x1.5 | 15 | 1 1/2 | 21 | 29.0 | 38.0 | 42.0 | 65.0 | 73.0 | 82.5 |
| 054005 | 5-50 | M50x1.5 | 15 | 2 | 21 | 34.0 | 44.5 | 42.0 | 65.0 | 73.0 | 82.5 |
| 054066 | 6s-63s | M63x1.5 | 15 | 2 | 21 | 38.0 | 50.0 | 48.0 | 80.0 | 90.0 | 97.5 |
| 054006 | 6-63 | M63x1.5 | 15 | 2 1/2 | 30 | 44.5 | 56.5 | 48.0 | 80.0 | 90.0 | 97.5 |
| 054077 | 7s-75s | M75x1.5 | 15 | 2 1/2 | 30 | 50.0 | 62.0 | 50.0 | 96.0 | 102.0 | 115.0 |
| 054007 | 7-75 | M75x1.5 | 15 | 3 | 32 | 56.0 | 67.5 | 50.0 | 96.0 | 102.0 | 115.0 |
| 054088 | 8s-80s | M80x2.0 | 20 | 3 | 32 | 54.0 | 69.0 | 55.0 | 96.0 | 102.0 | 120.0 |
| 054008 | 8-80 | M80x2.0 | 20 | 3 | 32 | 65.0 | 74.0 | 55.0 | 96.0 | 102.0 | 120.0 |
| 054099 | 9s-90s | M90x2.0 | 20 | 3 | 32 | 60.0 | 75.0 | 60.0 | 111.0 | 125.0 | 120.0 |
| 054009 | 9-90 | M90x2.0 | 20 | 3 1/2 | 33 | 73.0 | 81.5 | 60.0 | 111.0 | 125.0 | 120.0 |
| 054010 | 10-100 | M100x2.0 | 20 | 3 1/2/4 | 33/34 | 81.0 | 91.0 | 74.0 | - | - | 120.0 |
| 054011 | 11-110 | M110x2.0 | 20 | 4 | 34 | 91.0 | 101.0 | 92.5 | - | - | 175.0 |
| 054012 | 12-120 | M120x2.0 | 20 | - | - | 101.0 | 109.0 | 92.5 | - | - | 175.0 |
| 054013 | 13-130 | M130x2.0 | 20 | - | - | 109.0 | 119.0 | 92.5 | - | - | 175.0 |

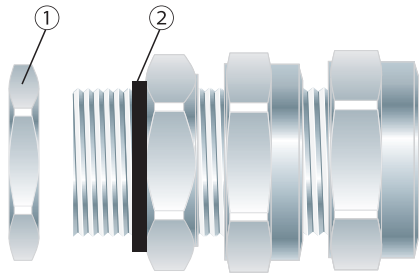
All dimensions except NPT are in mm.

• When manufactured in Aluminium, Hex will be 27 Across Flats and 30 Across Corners.

A2X COMPRESSION GLAND

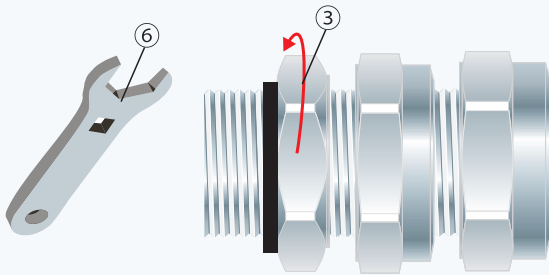


1. For accurate sizing, use a CCG Dimension Tape (A) on the outer cable sheath.



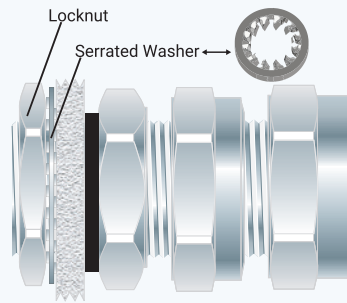
2. Remove the locknut (1). To maintain IP66/68, ensure the gasket (2) is in place.

If the gland has NPT entry threads fitted to a threaded entry then IP68 (2m) can be achieved by applying one of the following tested and approved grease types to the thread:- Renolit Lubrene CA700 or LX220 EP2, Renolit LC-WP2 or Moly LX2, or Dow Corning 4 Electrical Compound.

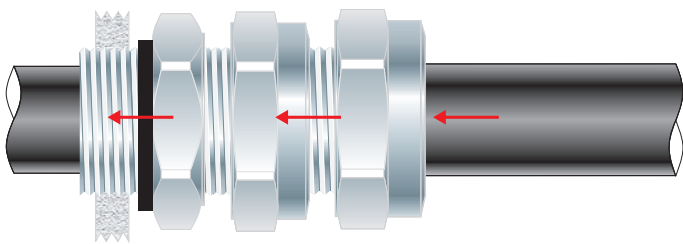


3. Screw the inner (3) into the apparatus and tighten to the installation torque using a CCG Spanner (6).

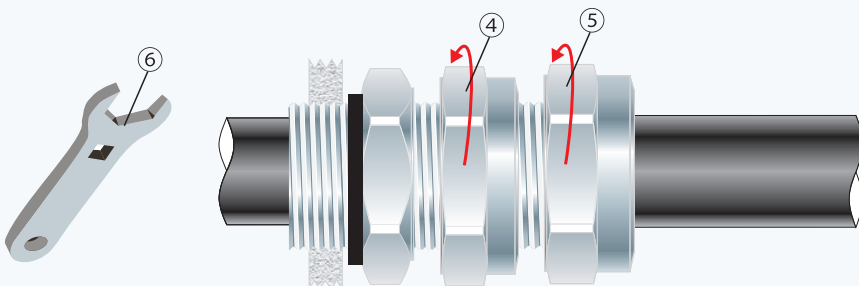
Alternative installation through an unthreaded entry.



If the apparatus is untapped use a locknut.



4. Pass the cable end through the gland assembly.



5. Tighten the body (4) to the installation torque using a CCG Spanner (6) to produce a seal and grip on the cable. Tighten the outer nut (5) to produce an additional seal and grip on the cable.